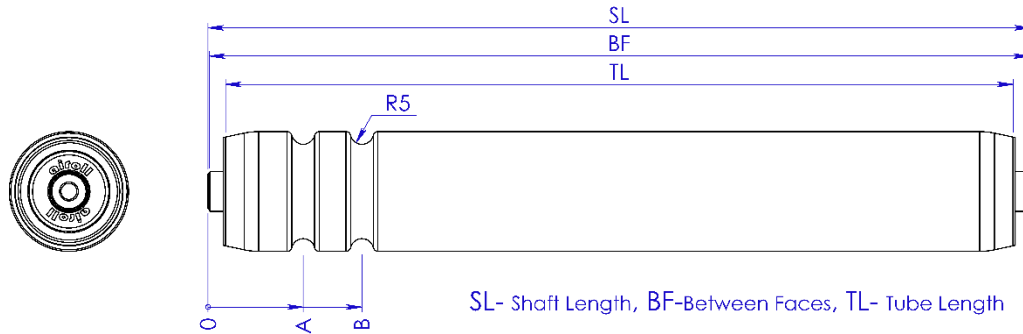


## 'O' Belt Driven Conveyor Rollers –



### Product Technical Data

**Application** : Cardboard Boxes, Totes and small goods

**Features** : Bears Light, medium and heavy loads, Durable

**Tube Material** : Mild Steel – Zinc Plating

**Shaft Material** : Mild Steel – Zinc Plating

**Bearing Type** : Deep Groove Ball Bearing permanently sealed in Polymer Bearing Housing

**Groove Type** : Single Groove | Dual Groove

**Shaft Installation Type** : Spring Return | Female Thread with Flat Milled

'O' Belt Driven Conveyor Rollers Series 100					
Tube Ø x Thickness "mm"	Shaft Ø "mm"	Shaft Installation Type		Groove Radius	Load Bearing "Kg"
		SR	FTFM		
40 x 1.5	12		✓	R5	55
50 x 1.5	11 Hex	✓		R5	100
	12		✓		
	14		✓		
<b>NOTE :</b> SR : Spring Return   FTFM : Female Thread with Flat Milled					

Web: <https://airoll.in/> | M: (+91) 8888 800 308 | Email: sales@airoll.in

Address: Gat No-1297, More Vasti, Near Sane Chowk, Chikhali, Pune - 411062, INDIA